



UG-6053

B. Arch. I (Sem. I) Examination

May/June - 2012

Structural Design & Systems - I

(New Course)

Time : 2 Hours]

[Total Marks : 50

Instructions :

(1)

नीचे दशावेक निशानीवाणी विगतो उत्तरवडी पर अवश्य कपवी.
Fillup strictly the details of signs on your answer book.

Name of the Examination :
B. Arch. I (Sem. I)

Name of the Subject :
Structural Design & Systems - I (New Course)

Subject Code No. : 6 0 5 3 Section No. (1, 2,.....): Nil

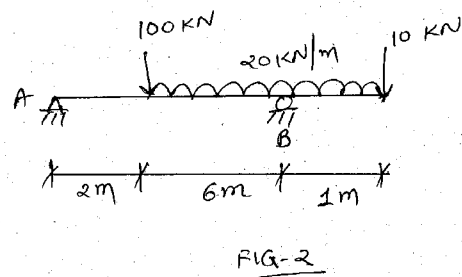
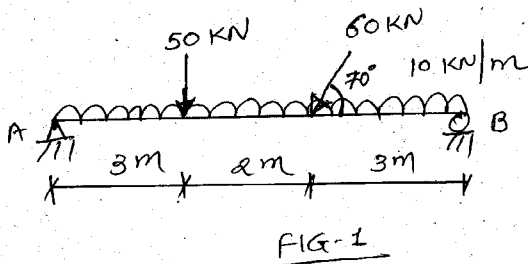
Seat No. :
[] [] [] [] [] []

Student's Signature

- (2) Assume suitable data & specifically mention it.
(3) Figures to the right indicate full marks.
(4) Use of Nonprogrammable scientific calculator is permitted.

1 Explain following terms by giving proper example : 6
Indeterminate structure, stability, dead load.

2 Calculate reaction of a beam shown in Fig.1 or Fig. 2. 10



- 3 Calculate resultant of a given force system. Refer Fig. 3 8

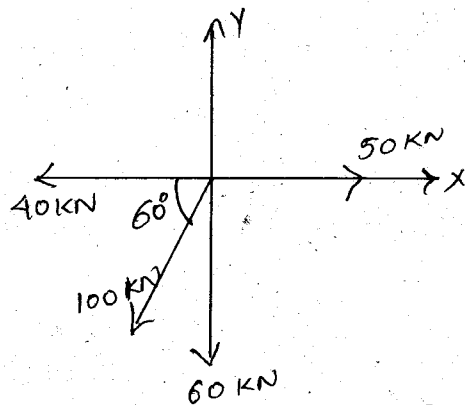


FIG-3

- 4 Calculate resultant of given force system. Refer Fig. 4. 10

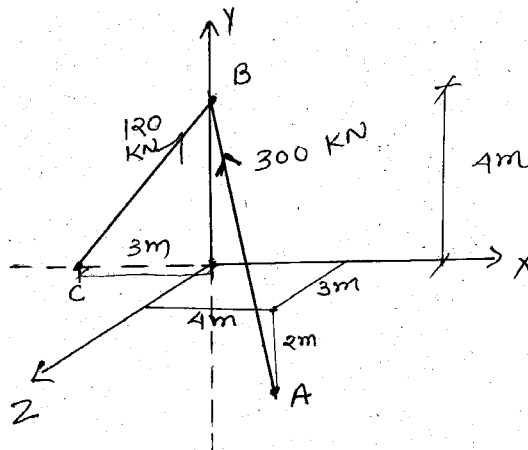


FIG-4

- 5 Solve the truss shown in Fig. 5, using method of joints OR Graphical method & tabulate your result. 12

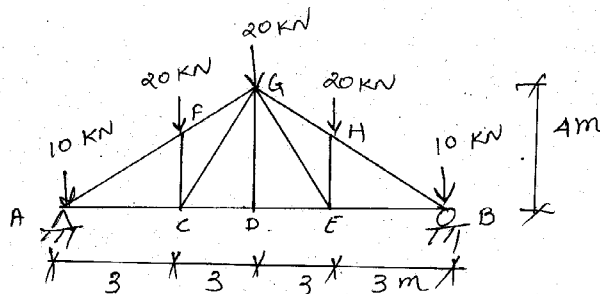


FIG-5

- 6 What is truss ? What is space truss ? How it is used ? 4